

# PRODUCT INFORMATION PACKET

Model No: 5KH36MN137

Catalog No: H290

1/2 HP Single Phase HVAC/R Motor, 1 phase, 1800 RPM, 115 V, 56CZ Frame, ODP  
HVAC/R Single Phase Motors



Regal and Marathon are trademarks of Regal Beloit Corporation or one of its affiliated companies.  
©2020 Regal Beloit Corporation, All Rights Reserved. MC017097E

**REGAL**

### Nameplate Specifications

Output HP	<b>0.50 Hp</b>	Output KW	<b>0.37 kW</b>
Frequency	<b>60 Hz</b>	Voltage	<b>115 V</b>
Current	<b>7.9 A</b>	Speed	<b>1725 rpm</b>
Service Factor	<b>1.25</b>	Phase	<b>1</b>
Efficiency	<b>61.4 %</b>	Power Factor	<b>0</b>
Duty	<b>Continuous</b>	Insulation Class	<b>B</b>
KVA Code	<b>P</b>	Frame	<b>56CZ</b>
Enclosure	<b>Drip Proof</b>	Thermal Protection	<b>N/R</b>
Ambient Temperature	<b>40 °C</b>	Drive End Bearing Size	<b>6203</b>
Opp Drive End Bearing Size	<b>6203</b>	UL	<b>Recognized</b>
CSA	<b>Yes</b>	CE	<b>N</b>

### Technical Specifications

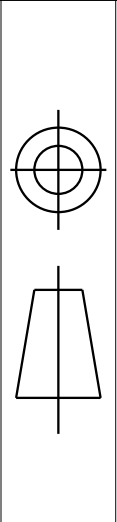
Electrical Type	<b>Split Phase</b>	Starting Method	<b>SM</b>
Poles	<b>4</b>	Rotation	<b>Counterclockwise/Clockwise</b>
Mounting	<b>Round</b>	Motor Orientation	<b>ANY</b>
Drive End Bearing	<b>BALL</b>	Opp Drive End Bearing	<b>Ball</b>
Frame Material	<b>Rolled Steel</b>	Overall Length	<b>10.68 in</b>
Frame Length	<b>6.22 in</b>	Shaft Diameter	<b>0.630 in</b>
Shaft Extension	<b>2.25 in</b>	Thru-bolts Extension	<b>0 in</b>
Outline Drawing	<b>52A102411P4</b>	Connection Drawing	<b>52A105377AA</b>

This is an uncontrolled document once printed or downloaded and is subject to change without notice. Date Created:03/11/2020

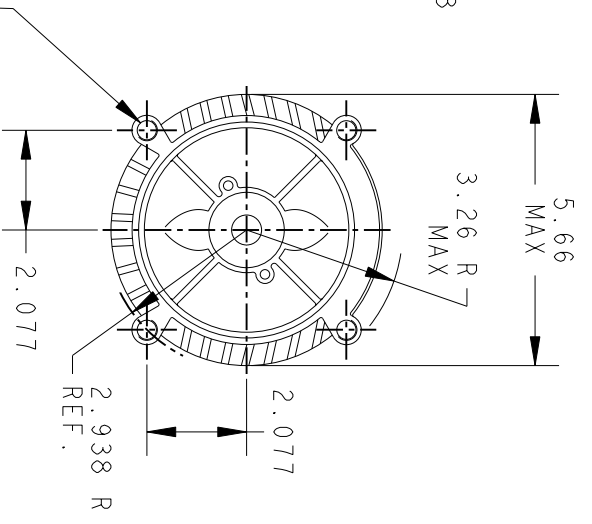
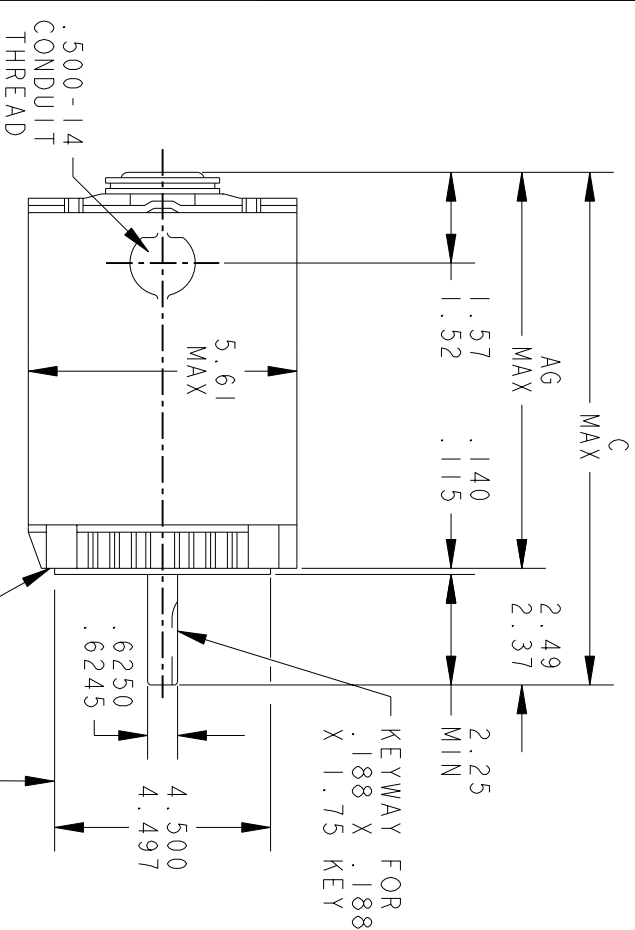
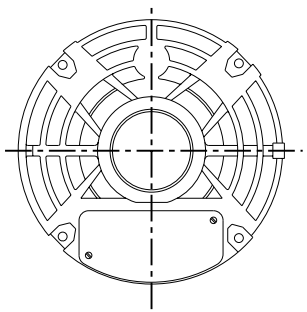
REVISIONS	
REV.	DESCRIPTION
5	REDRAWN NO CHANGE T196-22390
6	UPDATED AS PER ISO5-2685

DATE	APPROVED
9/9/96	MDP
10/21/05	PRAVEEN.K

REV.	DESCRIPTION	DATE	APPROVED
5	REDRAWN NO CHANGE T196-22390	9/9/96	MDP
6	UPDATED AS PER ISO5-2685	10/21/05	PRAVEEN.K



VIEW FACING LEAD END



PT	TYPE	GE SIZE	NEMA FR	C	AG	SHELL REF
5	KH	37	56CZ	11.08	8.61	
4	KH	36	56CZ	10.68	8.21	
3	KH	35	56CZ	10.25	7.78	
2	KH	33	56CZ	9.87	7.40	
1	KH	32	56CZ	9.62	7.15	

FOR ADDITIONAL INFO REFER TO:

APPLIED PRACTICES	MODEL	DATE
DIMENSIONS ARE IN INCHES	BCC	09/02/17

TOLERANCE ON:

- 1 PL DECIMALS ± 0.1
  - 2 PL DECIMALS ± 0.02
  - 3 PL DECIMALS ± 0.005
- ANGLES ± 1.0  
FRACTIONS ±

MATERIAL	FINISH	ISSUED	QUALITY	MDP
SOLID MODEL: 52A102411	✓	9/9/96		

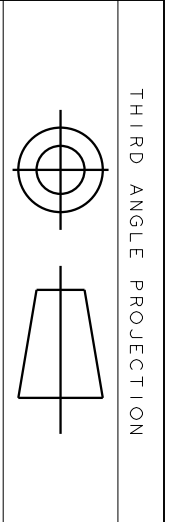


OUTLINE

FORM "N" MOTOR-DRIP PROOF R2 END MOUNTED  
-SLEEVE & BALL BEARING. FME SKH32DNIII

TITLE	SIZE	SCALE	REF. No.	SHEET
FORM "N" MOTOR-DRIP PROOF R2 END MOUNTED -SLEEVE & BALL BEARING. FME SKH32DNIII	A	1.000		1 of 1

52A102411 REV 6



THIRD ANGLE PROJECTION

REVISIONS

REV.	DESCRIPTION	DATE	APPROVED
1	UPDATED FORMAT	11/10/05	MAM

EITHER ROTATION - SINGLE VOLTAGE  
TYPE KC, OR KH



NOTE #1 - TO REVERSE ROTATION INTERCHANGE BLACK (T5-KH OR J9-KC) AND RED (T8) LEADS.

NOTE #2 - WHEN MORE THAN ONE CAPACITOR IS USED CONNECT IN PARALLEL.

REF. DIAG. - 121A850		SWITCH (C) - 115D958AB	
CONNECTION LABEL - 52X332047			
SIGNATURES			
MODEL	M.D. PAPER	DATE	
DETAIL			
CHECKED			
ENGRG			
MFG			
APPLIED PRACTICES	QUALITY		
DIMENSIONS ARE IN INCHES	ISSUED	M.D.P.	
		06/29/87	
MATERIAL	SOLID MODEL: 52A105377AA		



REGAL-BELOLT CORPORATION

TITLE CONNECTION DIAGRAM

FME: 30 FRAME SWITCH REDESIGN

52A105377AA

SCALE: 1.000	REF. No:		SHEET 1 of 1
SIZE DRAWING A			REV 1